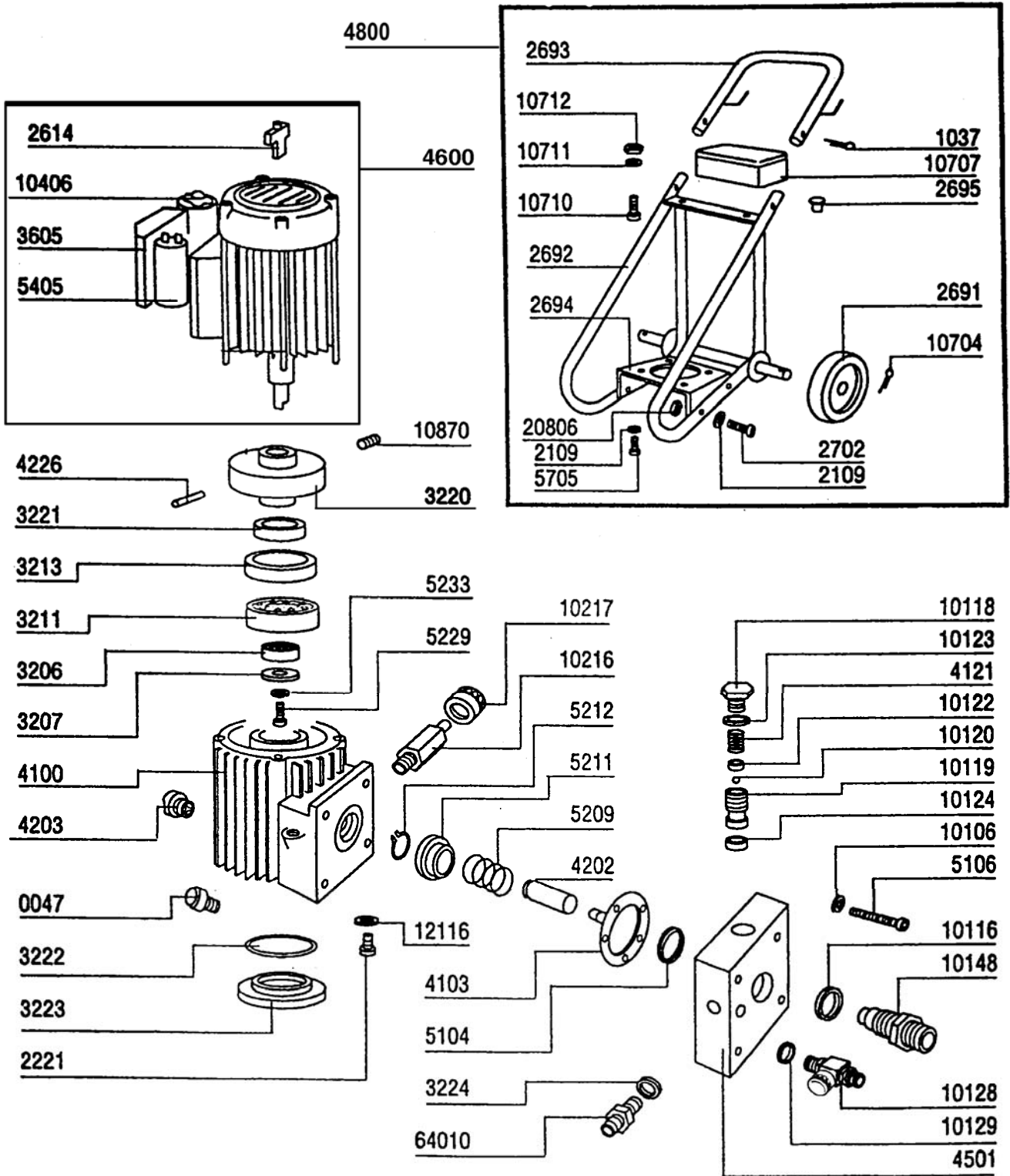


PART LIST AND DIAGRAM
Electric Diaphragm Airless Pump GOLD 4200



PART LIST AND DIAGRAM
Electric Diaphragm Airless Pump GOLD 4200

Ref.	Description	Q.ty	Ref.	Description	Q.ty
4200	Electric Diaphragm Airless pump GOLD 4200				
000047	PLUG VALVE	1	010870	FIXING SCREW	1
002221	DISCHARGE OIL PLUG	1	012116	COPPER GASKET	1
002614	MOTOR PROTECTOR 6 Amp.	1	064010	NIPPLE S.S. MM16x1,5	1
003206	CAM'S BEARING	1			
003207	WASHER	1			
003211	FLYWHEEL BEARING	1	004800	MINI UNIVERSAL TROLLEY KIT:	1
003213	OIL SEAL	1	001037	SPLIT PIN, UNIVERSAL TROLLEY	2
003220	FLYWHEEL	1	002109	SCHNOOR WASHER	4
003221	SCRAPER RING	1	002691	WHEEL, UNIVERSAL TROLLEY MINI	2
003222	O.R.	1	002692	UNIVERSAL TROLLEY BODY, SMALL SIZE	1
003223	CAP	1	002693	HANDLE, UNIVERSAL TROLLEY MINI	1
003224	COPPER GASKET	1	002694	PLATE, UNIVERSAL TROLLEY MINI	1
003605	SWITCH BOX	1	002695	CHROM.-PLATED PLUG dia. 25	2
004100	HYDRAULIC HSG., COMPLETE	1	002702	FIXING SCREW	2
004103**	DIAPHRAGM, COMPLETE	1	010704	COTTER PIN	2
004121*	BALL SPRING	1	010707	TOOL BOX "TAIVER"	1
004202	PISTON	1	010710	FIXING BOLT	2
004203	OIL LEVEL GLASS	1	010711	WASHER	2
004226	ELASTIC PIN	1	010712	FIXING NUT	2
004501	HEAD BLOCK	1	020806	BOLT	4
004600	ELECTRIC MOTOR 1 HP 220 Volt/50 Hz	1			
005104**	DIAPHRAGM SUPPORT	1			
005106	HEAD BOLT	4			
005209	PISTON SPRING	1			
005211	SPRING GUIDE	1			
005212	SEEGER RING	1			
005229	FIXING BOLT	1			
005233	WASHER SCHNOOR	1			
005405	CONDENSER 25 MF	1			
005705	FIXING BOLT	4			
010106	WASHER SCHNOOR	4			
010116****	SUCTION VALVE GASKET	1			
010118*	COMPRESSION VALVE PLUG	1			
010119*	BALL SEAT COMPLETE	1			
010120*	BALL dia.11, T.C.	1			
010122*	SUPPORT RING, TEFLON	1			
010123*	COPPER GASKET	1			
010124*	BALL SEAT GASKET	1			
010128***	DUMP VALVE, S.S.	1			
010129***	COPPER SEAL	1			
010148****	SUCTION VALVE	1			
010216	PRESSURE REGULATING VALVE	1			
010217	KNOB, REGULATING VALVE	1			
010406	SWITCH COMPLETE 220 Volt	1			

Spare parts suggested:

4318	COMPRESSION VALVE KIT (*)	
4803	DIAPHRAGM/SUPPORT KIT (**)	
10328	DUMP VALVE KIT,S.S. (***)	
10348	SUCTION VALVE KIT (****)	