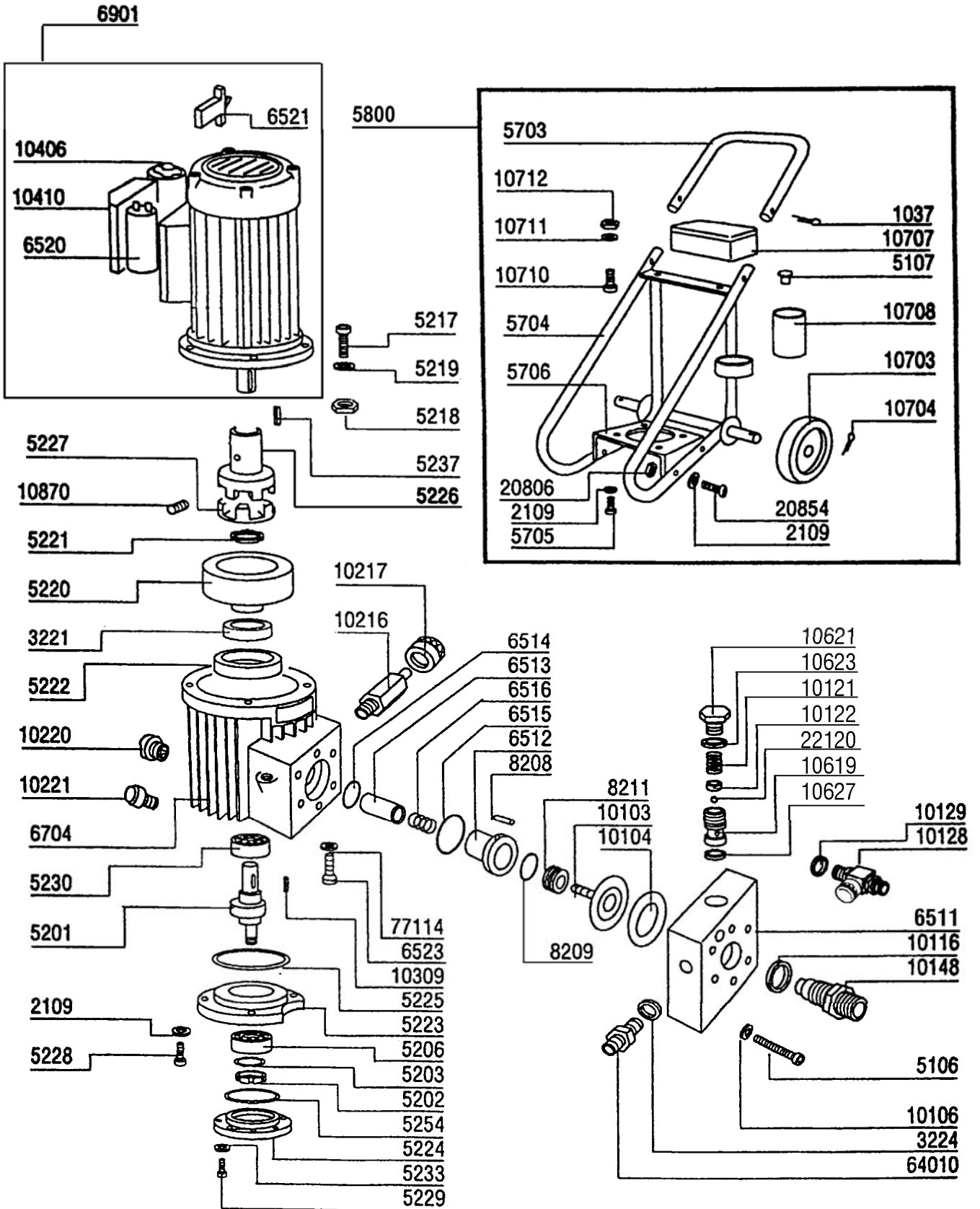


PART LIST AND DIAGRAM
Electric Diaphragm Airless Pump GOLD 6500



PART LIST AND DIAGRAM
Electric Diaphragm Airless Pump GOLD 6500

Ref.	Description	Q.ty	Ref.	Description	Q.ty
6500	Electric Diaphragm Airless pump GOLD 6500 - S.S.				
002109	SCHNOOR WASHER	1	010406	SWITCH COMPLETE 220 Volt	1
003221	SCRAPER RING	1	010410	CONDENSER BOX	1
003224	COPPER GASKET	6	010619***	BALL SEAT CPL.	1
005106	HEAD BOLT	1	010621***	COMPRESSION VALVE PLUG	1
005201	CAM'S SHAFT, COMPLETE	1	010623***	COPPER GASKET	1
005202	FIXING RING NUT	1	010627***	BALL SEAT GASKET	1
005203	WASHER	1	010870	FIXING SCREW	1
005206	LOWER BEARING	4	022120***	BALL dia.14, T.C.	1
005217	FIXING BOLT, MOTOR	4	064010	NIPPLE S.S. MM16x1,5	1
005218	FIXING NUT, MOTOR	4	077114	COPPER GASKET	1
005219	WASHER	1			
005220	FLYWHEEL JOINT	1	005800	UNIVERSAL TROLLEY KIT:	1
005221	RING NUT	1	001037	SPLIT PIN, UNIVERSAL TROLLEY	2
005222	OIL SEAL	1	002109	SCHNOOR WASHER	4
005223	FLANGE	1	005107	PLUG dia.30	2
005224	FLANGE COVER	1	005703	HANDLE, UNIVERSAL TROLLEY	1
005225	O.R.	1	005704	BODY, UNIVERSAL TROLLEY	1
005226	MOTOR JOINT	1	005705	FIXING BOLT	4
005227	CLUTCH INSERT	6	005706	PLATE, UNIVERSAL TROLLEY	1
005228	FLANGE SCREW	6	010703	WHEEL	2
005229	FIXING BOLT	1	010704	COTTER PIN	2
005230	UPPER BEARING	6	010707	TOOL BOX "TAIVER"	1
005233	WASHER SCHNOOR	1	010708	SUCTION SYSTEM HOLDER	1
005237	SHAFT KEY	1	010710	FIXING BOLT	2
005254	O.R. GASKET	1	010711	WASHER	2
006511	HEAD BLOCK, S.S.	1	010712	FIXING NUT	2
006512	PISTON SLEEVE	1	020806	BOLT	4
006513	PISTON	1	020854	BOLT	4
006514	SLEEVE O-RING	1			
006515	SLEEVE O-RING	1			
006516	PISTON SPRING	1			
006520	CONDENSER 31,5 MF	1	Spare parts suggested:		
006521	MOTOR PROTECTOR 12 A.	1	10328	DUMP VALVE KIT,S.S. (*)	
006523	OIL FILTER	1	10348	SUCTION VALVE KIT (**)	
006704	HYDRAULIC BODY	1	10618	COMPRESSION VALVE KIT (***)	
006901	ELECTRIC MOTOR HP 2 - 220 Volt/50 Hz	1	10803	DIAPHRAGM/SUPPORT KIT (****)	
008208	SLEEVE PIN	1			
008209	WASHER	1			
008211	FIXING RING NUT	1			
010103****	DIAPHRAGM, COMPLETE	1			
010104****	DIAPHRAGM SUPPORT	6			
010106	WASHER SCHNOOR	1			
010116**	SUCTION VALVE GASKET	1			
010121***	BALL SPRING	1			
010122***	SUPPORT RING, TEFLON	1			
010128*	DUMP VALVE, S.S.	1			
010129*	COPPER SEAL	1			
010148**	SUCTION VALVE	1			
010216	PRESSURE REGULATING VALVE	1			
010217	KNOB, REGULATING VALVE	1			
010220	OIL LEVEL GLASS	1			
010221	PLUG VENT	1			
010309	FLYWHEEL JOINT KEY	1			