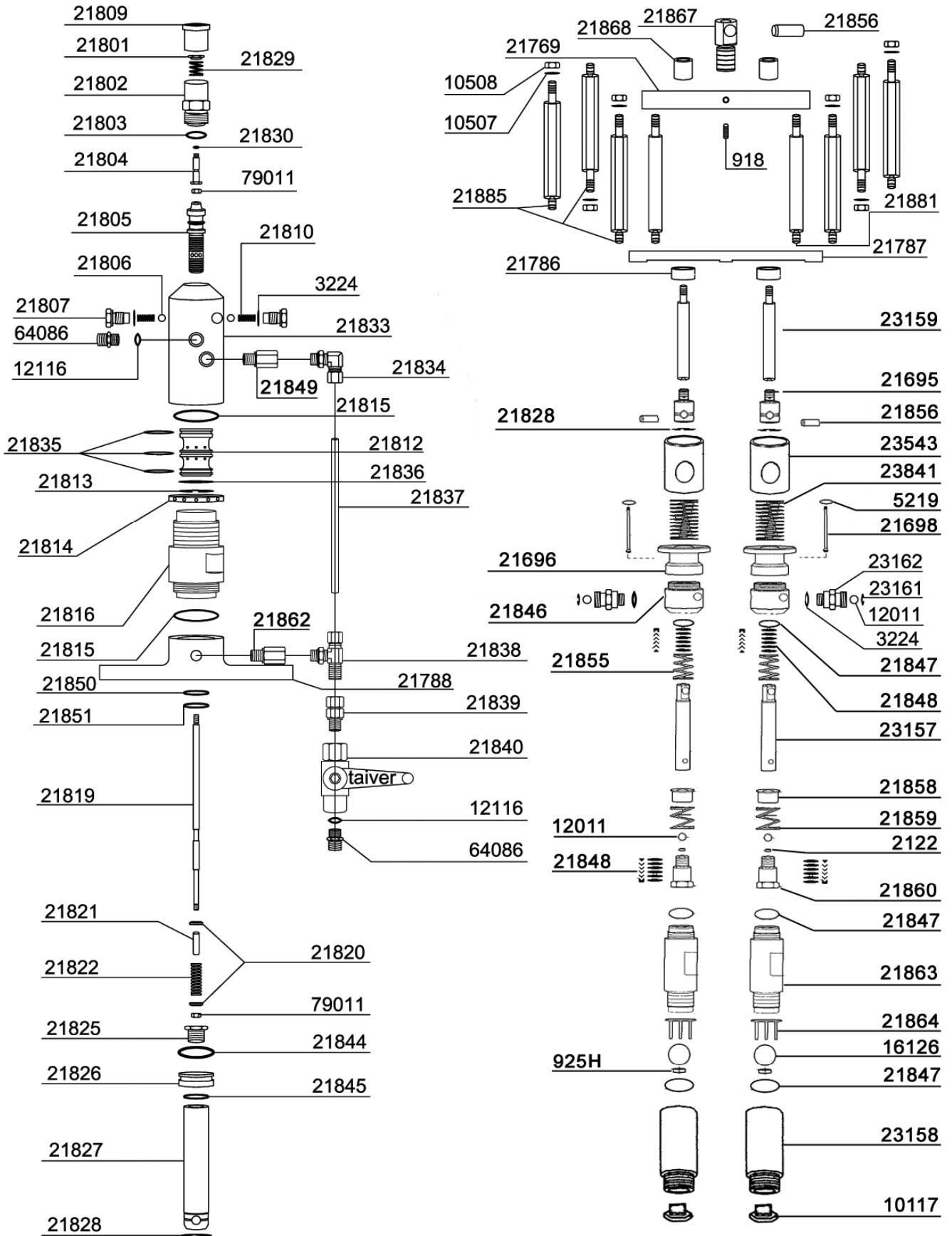


PART LIST AND DIAGRAM
Pumping part HTP 21000 Bicomponent - 18 Ltr.

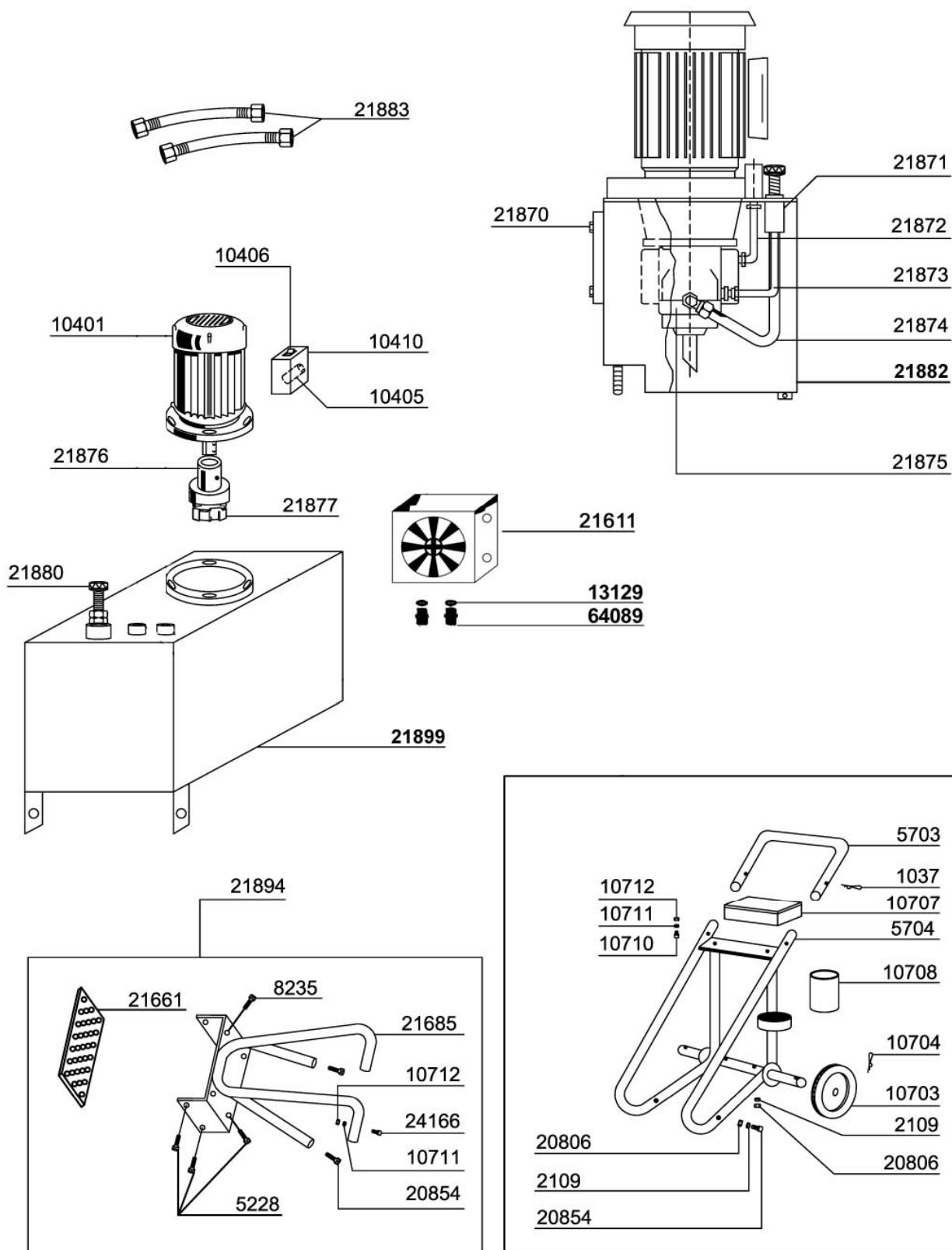


PART LIST AND DIAGRAM

Pumping part HTP 21000 Bicomponent - 18 Ltr.

Ref.	Description	Q.ty	Ref.	Description	Q.ty
21451	Hydraulic part HTP 21000 Bicomponent - 18 Ltr.		023055	Paint Part	
000918	SCREW	2	00925H***	SEAT	1
003224	COPPER GASKET	4	002122**	SEAT	1
010106	WASHER SCHNOOR	4	005219	FIXING WASHER	4
010507	WASHER	8	010117***	INLET SEAL	1
010508	NUT	8	012011**	BALL dia.11, S.S.	2
012011	BALL dia.11, S.S.	4	016126***	BALL dia.25 IN S.S.	1
012116	COPPER GASKET	2	021695	CONNECTING JOINT	1
021769	SUPPORT HTP 21000 - 18 Ltr.	1	021696	FLANGE, HTP 21000 PNEUMATIC	1
021786	SHAFT'S BUSH - HTP 21000/18 LT.	2	021698	TIE-ROD, HTP 21000 P.	4
021787	LOWER FLANGE - HTP 21000 18 LT.	1	021828	STOP RING	1
021788	UPPER FLANGE - HTP 21000 18 LT.	1	021846	PUMPING HOUSING CENTRAL	1
021801	RESET NUT	1	021847***	O-RING	2
021802	RELEASE BODY	1	021848*	UPPER & LOWER PACKING	2
021803	O-RING	1	021855	SPRING, UPPER PACKING	1
021804	RESET PIN	1	021856	PIN	1
021805	MOBILE FUSE	1	021858	CUP SPRING	1
021806	BALL, TRACER POINT	2	021859	SPRING	1
021807	TRACER POINT	2	021860**	COMPRESSION VALVE BODY	1
021809	PLUG	1	021863	PRODUCT CYLINDER	1
021810	SPRING, TRACER POINT	2	021864***	BALL STOP COMPLETE	1
021812	PISTON SLEEVE, FUSE	1	023157	MATERIAL PISTON 12000 PLUS	1
021813	SEGER S.S.	1	023158***	SUCTION VALVE BODY	1
021814	FIXING RING NUT	1	023543	SPACER CYLINDER	1
021815	O-RING	2	023841	SAFETY SPRING	1
021816	OLEODYNAMIC CYLINDER	1			
021819	VALVE ROD	1			
021820	WASHER	2			
021821	SPRING GUIDE	1	Spare parts suggested:		
021822	SPRING	1	013648	SUCTION VALVE KIT (***)	
021825	NUT	1	021603	UPPER AND LOWER PACKING KIT. (* x2)	
021826	SCRAPER PISTON	1	021618	COMPRESSION VALVE KIT (**)	
021827	OLEODYNAMIC SHAFT	1			
021828	STOP RING	1			
021829	SPRING	1			
021830	O-RING	1			
021833	REVERSAL BODY	1			
021834	NIPPLE	1			
021835	OR SEAL	3			
021836	WASHER	1			
021837	OIL HOSE	1			
021838	"T" FITTING 3/8"	1			
021839	NIPPLE 3/8 FF	1			
021840	VALVE 3/8 FF	1			
021844	PLUNGER SCRAPER	1			
021845	O-RING	1			
021850	STATIC SCRAPER	1			
021851	DUST COVER	1			
021856	PIN	1			
021867	PIN	1			
021868	BUSH	2			
021881	COLUMN HTP 21000 BICOMPONENT	2			
021885	TIE-ROD HTP 21000 BICOMPONENT	6			
023159	CONNECTING SHAFT	2			
023161	BALL STOP RING	2			
023162	NON-BACKFLOW VALVE NIPPLE	2			
023546	PUMPING HOUSING BOLT 12000 P	4			
064086	NIPPLE M3/8" - M16x1,5 - S.S.	2			
079011	SELF-LOCKING NUT	2			

PART LIST AND DIAGRAM
Hydraulic part & Trolley



PART LIST AND DIAGRAM

Hydraulic part & Trolley

Ref.	Description	Q.ty	Ref.	Description	Q.ty
000909	KNOB, REGULATING VALVE	1	021894	KIT SUPPORT HTP 21000 BIC. 18 LT.	
001000	SEAL	1	005228	FLANGE SCREW	6
001001	SPRING	1	008235	BOLT	2
001037	SPLIT PIN, UNIVERSAL TROLLEY	2	010711	WASHER	2
002109	SCHNOOR WASHER	2	010712	FIXING NUT	2
005219	FIXING WASHER	2	020854	BOLT	2
005703	HANDLE, UNIVERSAL TROLLEY	1	021661	BULKHEAD, HTP 21000 - 18 LT.	1
005704	BODY, UNIVERSAL TROLLEY	1	021685	SUPPORT, PUMP HTP 21000 18 LT.	1
010401	ELECTRIC MOTOR 220 Volt/50 Hz - HP3	1	024166	BOLT	2
010703	WHEEL	2			
010704	COTTER PIN	2			
010707	TOOL BOX "TAIVER"	1			
010708	SUCTION SYSTEM HOLDER	1			
010710	FIXING BOLT	2			
010711	WASHER	2			
010712	FIXING NUT	2			
013129	COPPER GASKET 1/2"	2			
015878	HALF-JOINT	1			
020806	BOLT	2			
020854	BOLT	2			
021611	RADIATOR	1			
021876	HALF-JOINT	1			
021877	CLUTCH INSERT	1			
021882	CONTAINER	1			
021883	CONNECTING HOSE cm. 60	2			
021899	HYDRAULIC BOX HTP 21000	1			
023810	KIT LINE FILTER WITH DUMP VALVE S.S. AND	1			
064089	OG FITTING M1/2" - F1/2"	2			