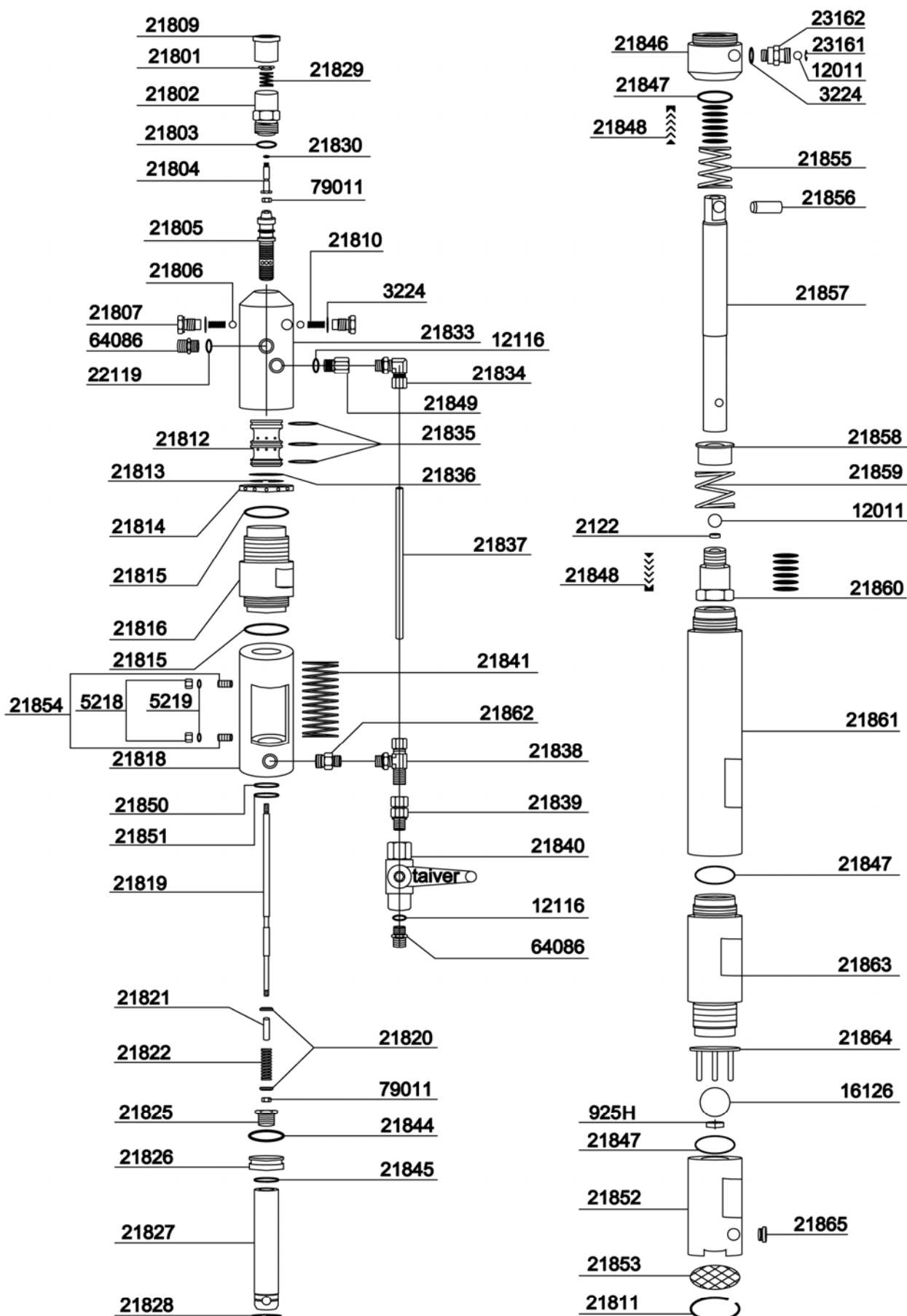


PART LIST AND DIAGRAM
Pumping housing HTP 21000



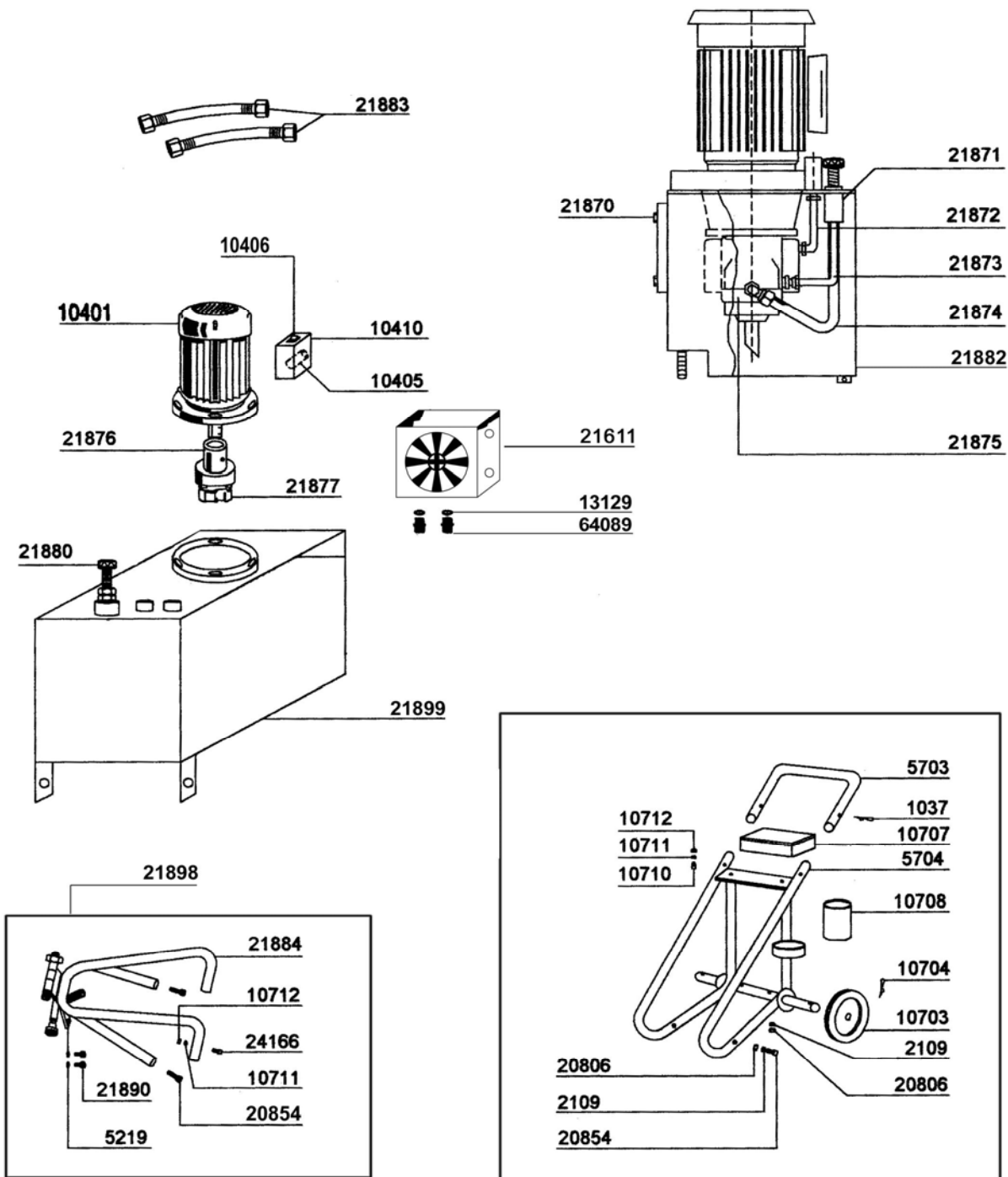
PART LIST AND DIAGRAM
Pumping housing HTP 21000

Ref.	Description	Q.ty	Ref.	Description	Q.ty
21800	Pumping part HTP 21000				
00925H***	SEAT	1	021856	PIN	1
	SEAT	1	021857	MATERIAL PISTON	1
003224	COPPER GASKET	3	021858	CUP SPRING	1
005218	FIXING NUT	2	021859	SPRING	1
005219	FIXING WASHER	2	021860**	COMPRESSION VALVE BODY	1
012011**	BALL dia.11, S.S.	2	021861	SPACER, PAINT PART	1
012116	COPPER GASKET	2	021862	CONNECTING NIPPLE	1
016126***	BALL dia.25 IN S.S.	1	021863	PRODUCT CYLINDER	1
021801	RESET NUT	1	021864	BALL STOP COMPLETE	1
021802	RELEASE BODY	1	021865	PLUG 1/2" S.S.	1
021803	O-RING	1	022119	COPPER GASKET	1
021804	RESET PIN	1	023161	BALL STOP RING	1
021805	MOBILE FUSE	1	023162	NON-BACKFLOW VALVE NIPPLE	1
021806	BALL, TRACER POINT	2	064086	NIPPLE M3/8" - M16x1,5 - S.S.	2
021807	TRACER POINT	2	079011	SELF-LOCKING NUT	2
021809	PLUG	1			
021810	SPRING, TRACER POINT	2			
021811	BALL STOP RING	1			
021812	PISTON SLEEVE, FUSE	1			
021813	SEGER S.S.	1			
021814	FIXING RING NUT	1			
021815	O-RING	2			
021816	OLEODYNAMIC CYLINDER	1			
021818	PUMPING HOUSING DOUBLE	1			
021819	VALVE ROD	1			
021820	WASHER	2			
021821	SPRING GUIDE	1			
021822	SPRING	1			
021825	NUT	1			
021826	SCRAPER PISTON	1			
021827	OLEODYNAMIC SHAFT	1			
021828	STOP RING	1			
021829	SPRING	1			
021830	O-RING	1			
021833	REVERSAL BODY	1			
021834	NIPPLE	1			
021835	OR SEAL	3			
021836	WASHER	1			
021837	OIL HOSE	1			
021838	"T" FITTING 3/8"	1			
021839	NIPPLE 3/8 FF	1			
021840	VALVE 3/8 FF	1			
021841	SAFETY SPRING	1			
021844	PLUNGER SCRAPER	1			
021845	O-RING	1			
021846	PUMPING HOUSING CENTRAL	1			
021847***	O-RING	2			
021848*	UPPER & LOWER PACKING	2			
021849	EXTENSION	1			
021850	STATIC SCRAPER	1			
021851	DUST COVER	1			
021852***	SUCTION BODY	1			
021853	FILTERING DISC	1			
021854	FIXING SCREW	2			
021855	SPRING, UPPER PACKING	1			

Spare parts suggested:

021603	UPPER AND LOWER PACKINGS SET (* x2)
021618	COMPRESSION VALVE KIT (**)
021648	SUCTION VALVE KIT (***)

PART LIST AND DIAGRAM
Hydraulic part & Trolley - HTP 21000



PART LIST AND DIAGRAM
Hydraulic part & Trolley - HTP 21000

Ref.	Description	Q.ty	Ref.	Description	Q.ty
000909	KNOB, REGULATING VALVE	1	021898	KIT SUPPORT HTP 21000	
001000	SEAL	1	005219	FIXING WASHER	2
001001	SPRING	1	010711	WASHER	2
001037	SPLIT PIN, UNIVERSAL TROLLEY	2	010712	FIXING NUT	2
002109	SCHNOOR WASHER	2	020854	BOLT	2
005219	FIXING WASHER	2	021884	SUPPORT	1
005703	HANDLE, UNIVERSAL TROLLEY	1	021890	SCREW	2
005704	BODY, UNIVERSAL TROLLEY	1	024166	BOLT	2
010401	ELECTRIC MOTOR 220 Volt/50 Hz - HP3	1			
010703	WHEEL	2			
010704	COTTER PIN	2			
010707	TOOL BOX "TAIVER"	1			
010708	SUCTION SYSTEM HOLDER	1			
010710	FIXING BOLT	2			
010711	WASHER	2			
010712	FIXING NUT	2			
013129	COPPER GASKET 1/2"	2			
015878	HALF-JOINT	1			
020806	BOLT	2			
020854	BOLT	2			
021611	RADIATOR	1			
021876	HALF-JOINT	1			
021877	CLUTCH INSERT	1			
021882	CONTAINER	1			
021883	CONNECTING HOSE cm. 60	2			
021899	HYDRAULIC BOX HTP 21000	1			
023810	KIT LINE FILTER WITH DUMP VALVE S.S. AND	1			
064089	OG FITTING M1/2" - F1/2"	2			