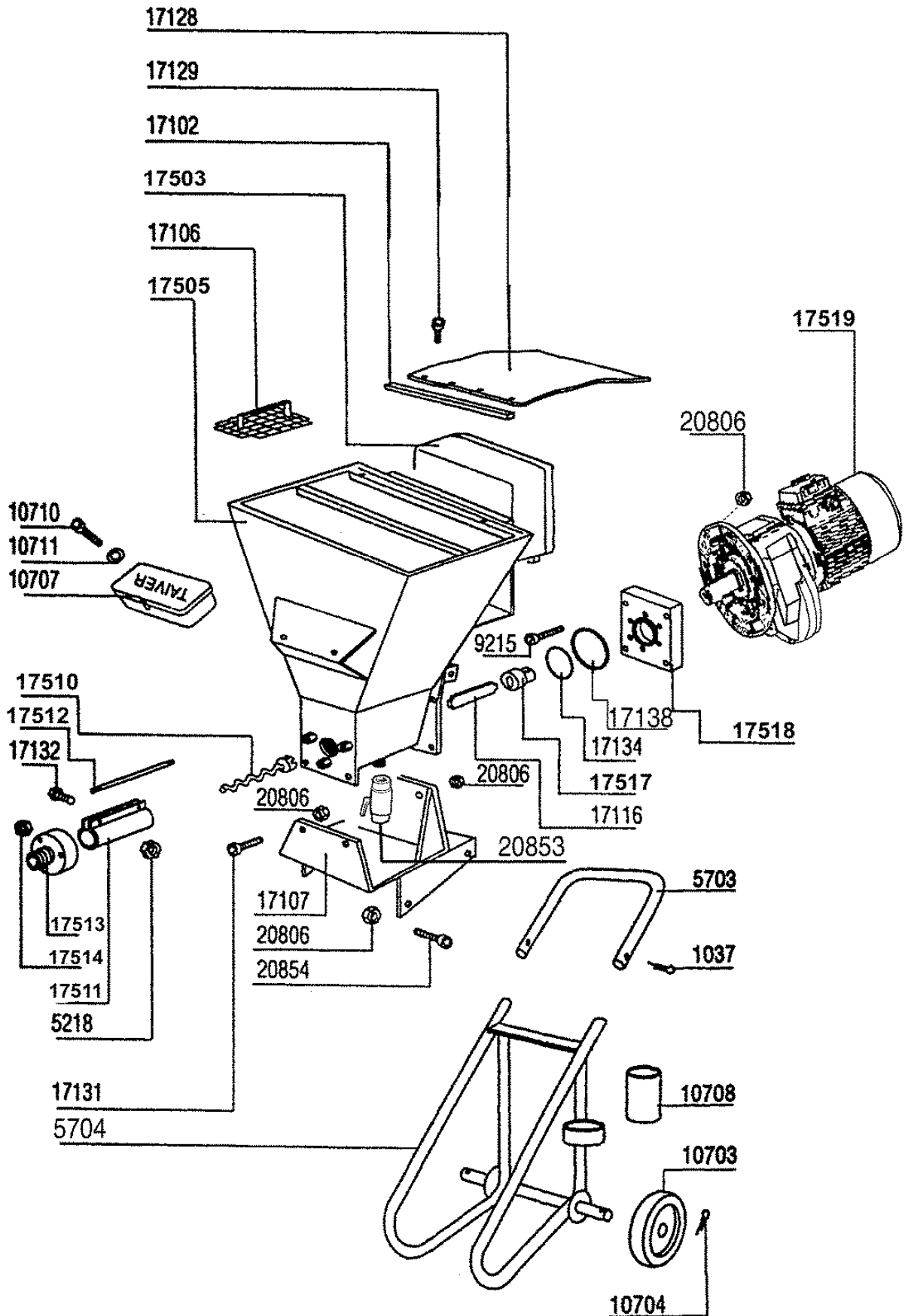


PART LIST AND DIAGRAM
Screw pump MTV 200



PART LIST AND DIAGRAM

Screw pump MTV 200

Ref.	Description	Q.ty	Ref.	Description	Q.ty
17500	Screw pump MTV 200				
001037	SPLIT PIN, UNIVERSAL TROLLEY	2	017134	O-RING	1
005218	FIXING NUT	2	017138	SEAL GASKET	1
005703	HANDLE, UNIVERSAL TROLLEY	1	017503	ELECTRONIC BOARD MTV 200	1
005704	BODY, UNIVERSAL TROLLEY	1	017505	TANK IN S.S. X MTV 200	1
009215	FIXING SCREW	4	017510	ROTOR MTV 200	1
010703	WHEEL	2	017511	STATOR MTV 200	1
010704	COTTER PIN	2	017512	TIE-ROD MTV 200	4
010707	TOOL BOX "TAIVER"	1	017513	FLANGE MTV 200	1
010708	SUCTION SYSTEM HOLDER	1	017514	BOLT	1
010710	FIXING BOLT	2	017517	JOINT MTV 200	1
010711	WASHER	2	017518	FLANGE MTV 200	1
017102	BAR	1	017519	MOTOR MTV 200 WITH REDUCER	1
017106	FILTERING RETICLE FOR TANK MTV	1	020806	BOLT	4
017107	BASE FOR TANK SUPPORT	1	020853	OUTLET VALVE FF 1"	1
017116	MIXING BLADE MTV	1	020854	BOLT	4
017128	PROTECTION IN RUBBER X MTV	1			
017129	SCREW	1			
017131	BOLT	4			
017132	BOLT	2			